

## Square 1

Power extender

30W Dual USB-C & Magnetic base,

Swiss Type J Standard Version – 1.8m/3m

## SWISS DECLARATION OF CONFORMITY

We,

**Manufacturer:** AVOLT AB  
**Address:** Rådmanngatan 5, 114 25 Stockholm, Sweden  
**Telephone:** +4670193970  
**Email:** help@avolt.com

Declare that the product(s) described below:

**Type of equipment:** Cord Extension set with Multiple-portable Socket outlets and dual USB-C ports.  
**Brand name / Trademark:** AVOLT, Square 1  
**Product Name:** Square 1 with Dual USB-C 30W & Magnetic Base, Swiss version  
**Type Designation:** SQ1-CHJC30-xy (x = 18 or 30; y = SB, OP, OG, GG, OB, RR, YY, SHB, BE, WH, OR, LG, CB, BP, IN or OC)  
**Electrical Rating:** x3 SN 441011 Type 13 (Swiss 3-Pin / Type J), 250VAC~50/60Hz, 10A, 2500W Max.  
**Single USB Rating:** 30W MAX (5V~3A / 9V~3A / 12V~2.5A / 15V~2A / 20V~1.5A)  
**Total USB-C Shared Power:** Max 30Watts @ 5VDC. Max 3,1A (Shared between ports)  
**Power Chord:** H05VV-F 3G1.0mm2 (lengths≤2m) (model SQ1-CHJC30-18\*),  
H05VV-F 3G1.5mm2 (model SQ1-CHJC30-30\*), SN 441011 Type 12 (Swiss 3-Pin / Type J) plug

To which this declaration relates satisfies the provision for CE and Swiss product safety marketing according to the following directive(s):

**Low Voltage Directive 2014/35/EU**  
**EU Energy-related Products (ErP) directive**  
**EMC Directive 2014/30/EU**  
**RoHS Directive 2011/65 EU**  
**REACH (EC) 1907/2006**  
**WEEE Directive 2012/19/EU**

and is (are) in compliance with the standard(s):

<b>IEC 60884-1:2002+A1:2006+A2:2013,</b>	<b>SN 441011-2-2:2019 + Corr.1:2019,</b>	<b>EN 55032:2015+A11+A1,</b>
<b>IEC 60884-2-7:2011+A1:2013,</b>	<b>EN 50563:2011+A1,</b>	<b>EN 55035:2017+A11,</b>
<b>SN 441011-1:2019 + Corr.1:2019,</b>	<b>IEC 62301:2011 and EN 50564: 2011,</b>	<b>EN IEC 61000-3-2:2019,</b>
<b>SN 441011-2-1:2021,</b>	<b>EN 62368-1:2014+A11,</b>	<b>EN 61000-3-3:2013+A1.</b>

Compliance with directives and standards are verified by the 3rd parties - "TUV Rheinland (Guangdong) Ltd." and "Intertek Testing Services Shenzhen Ltd. Guangzhou Branch"

Verifiable via the following certificates and test reports:

<b>IEC 60884-2-7 test Report #:</b>	CN23NMOC 001
<b>EN 62368-1:2014+A11 test report #:</b>	CN234MX2 001
<b>ERP Energy Efficiency test report #</b>	CN231YXR 001
<b>EMC EC test report #:</b>	NN23H05Q 001
<b>LVD (EU) 2014/35 test report #:</b>	CN23NMOC 001
<b>RoHS Directive test report #:</b>	230525138GZU-001
<b>EU REACH test report #:</b>	230525138GZU-002

This declaration of conformity is issued under the sole responsibility of the manufacturer.

**Signed on behalf of:** AVOLT AB  
Organization #: 559001-5425

**Signature:**



**Name:** Johan Runströmer  
**Date:** 20th May 2024  
**Title:** Chief Executive Officer  
**Place:** Stockholm, Sweden

**AVOLT**

**Square 1**

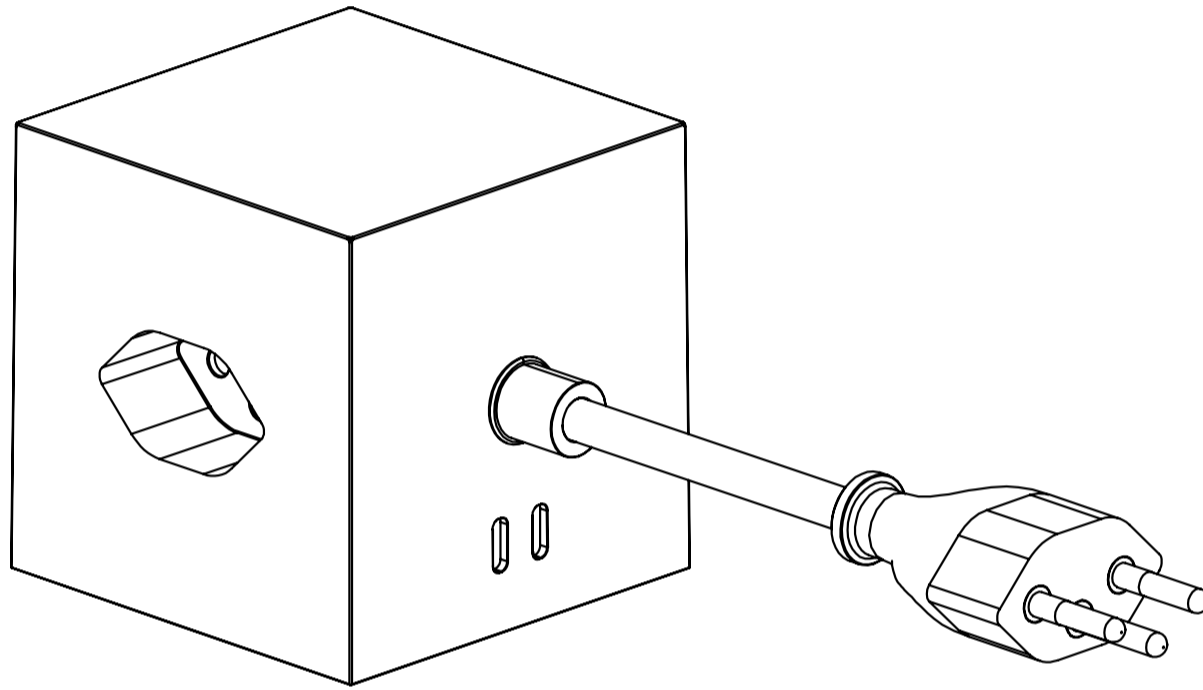
Power extender

30W Dual USB-C & Magnetic base,

Swiss Type J Standard Version - 1.8m/3m

## **SWISS DECLARATION OF CONFORMITY**

Object of Declaration:



\*Note: The appearance of power cable length is shortened in above image of declared object for ease of illustration.